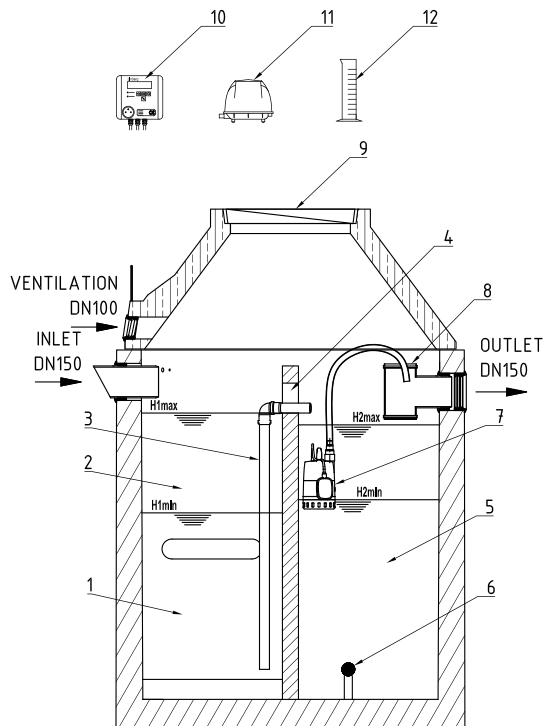


Technology description



1. Pre-treatment
2. Buffer tank
3. Air-lift tank
4. Security bypass
5. Activation tank
6. Aeration element
7. Effluent pump
8. Outlet/sample object
9. Roadworthy access cover
10. Control panel
11. Blower
12. Measuring cylinder