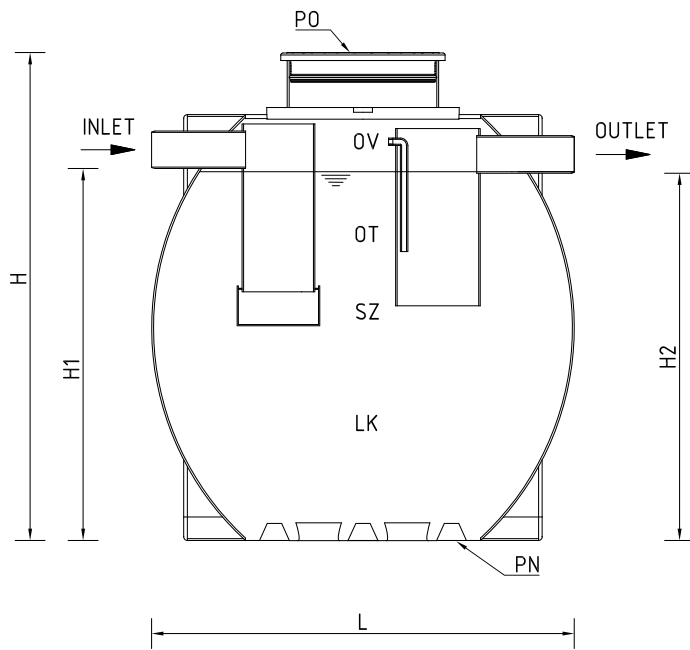


Technology description



- | | |
|----------------------------|----------------------|
| PN – concrete tanks | PO – access cover |
| LK – sludge trap | SZ – separation zone |
| OT – grease storage volume | ZD – cover plate |
| OV – sampling point | |